



FEATURES

- Manufactured with Polyamide 6 modified with elastomer.
- Multidiameter.
- Fast installation.
- Fixing with concrete screw or drywall screw, it can be fixed with screws of diameter ¼".
- It can be fixed in channels 0.39 - 0.43 inch wide (for example: channel pvc apolo).
- High resistance to pull out and axial forces.
- It can work with a continuous temperature of 194 °F with a peak of 266 °F.
- Halogen free.
- Color Grey RAL 7035.
- Temperature:
 - To install; 23 °F (*)/ 113 °F.
 - After installation; continuously 14 °F / 194 °F; peak -13 °F/ 230 °F.

(*) 32 °F installation using gas nailer.

APPROVALS AND CERTIFICATE



BASE MATERIAL

- Concrete
- Concrete block
- Solid brick
- Steel

INSTALLATION PARAMETERS

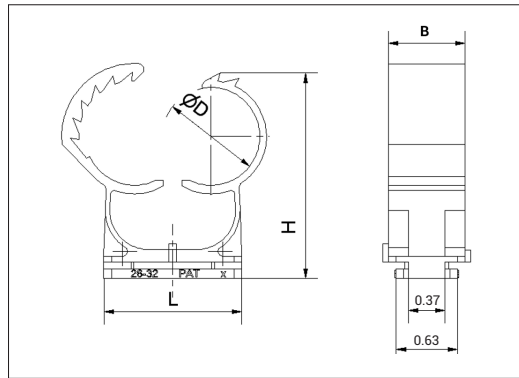
In normal conditions of 73.4 °F:

- In horizontal positions the recommended distance is 4.92 ft for electrical installations and 3.28 ft for sanitary installations.
- In vertical positions the recommended distance is 6.56 ft for electrical installations and 4.26 ft for sanitary installations.

In conditions of 194°F:

- The recommended distance for plumbing installations is 2.29 ft for horizontal positions and 3.28 ft for vertical positions.

MAIN DIMENSIONS (inch)



Reference	øD	L	B	H
STC 14-18	0.57	0.94	0.78	1.40
STC 20-25	0.76	1.14	0.78	1.79
STC 25-32	1	1.41	0.78	2.11
STC 35-42	1.34	1.77	0.78	2.61
STC 48-55	1.91	2.36	0.98	3.15
STC 59-65	2.34	2.75	0.98	3.85

INSTALLATION PROCEDURE



● ● ● **Small Things Matter** ● ●

RECOMMENDED LOADS

Tensile resistance according to UL Approval.

Reference	Conduit size		Load
	RMC, IMC, EMT	PVC	
STC 14-18	3/8"	-	50 lbs
STC 20-25	1/2"	1/2"	50 lbs
STC 25-32	3/4"	3/4"	50 lbs
STC 35-42	1 - 1/4"	1 - 1/4"	75 lbs
STC 48-55	2"	2"	100 lbs
STC 59-65	2"	2"	100 lbs

(*) Higher diameter in every case.

RANGE OF PIPES

Reference	Pipe type							
	EMT	IMC	RMC	PVC	Aluminum	Copper	CPVC	PVDF
STC 14-18	1/2"	-	-	-	-	1/2" & 5/8"	1/2"	
STC 20-25	3/4"	1/2"	1/2"	1/2"	1/2"	3/4"	3/4"	1/2"
STC 25-32	1"	3/4" & 1"	3/4"	3/4"	3/4"	1"	1"	3/4"
STC 35-42	1-1/4"	1-1/4"	1" & 1-1/4"	1" & 1-1/4"	1" & 1-1/4"	1-1/4" & 1-1/2"	1-1/4" & 1-1/2"	1" & 1-1/4"
STC 48-55	1-1/2" & 2"	1-1/2"	1-1/2"	1-1/2"	1-1/2"	2"	2"	1-1/2"
STC 59-65	-	2"	2"	2"	2"			2"

APPLICATIONS

- Holding of electrical and sanitary pipes and conduits.
- Optimal performance when fixing warm water pipes.

